



MODEL H7861 DUAL MINI HALOGEN LAMPS W/STAND 500W INSTRUCTION SHEET

Introduction

These dual mini halogen lamps provide wide area illumination in indoor and outdoor environments.

Inventory (Figure 2)

1. Safety Screens (shown installed)..... 2
2. Halogen Lamps 2
3. Tripod 1
4. Mounting Arm 1

Minor Components and Hardware

- Carriage Bolts M6-1 x 30 2
- Threaded Knobs M6-1 2
- Phillips Head Screws M4-.7 x 7 2
- Quartz Halogen Bulbs 500W..... 2

Note: Some components may already be pre-assembled.

Assembly For Each Lamp

1. Unscrew the Phillips head screw holding the lamp cover closed and open the lamp cover.
2. Install the safety screen by fitting the four safety screen lugs between the glass and the screen housing (**Figure 3**), and secure the screen tab to the housing using an M4-.7 x 7 Phillips head screw.
3. Using a clean, dry cloth, gently install a 500W halogen bulb into the lamp socket. Close the housing and tighten the Phillips head screw.

Note: NEVER touch a halogen bulb with bare skin! Oils in human skin can cause "hot spots" on the bulb, leading to drastically shortened bulb life.

4. Mount the lamp to the mounting arm using a threaded knob and an M6-1 x 30 carriage bolt.
5. Seat the mounting arm in the tripod bracket and snap the spring lugs into place.

If you need help with your new halogen lamps, call our Tech Support at: (570) 546-9663.



Figure 1. Model H7861.

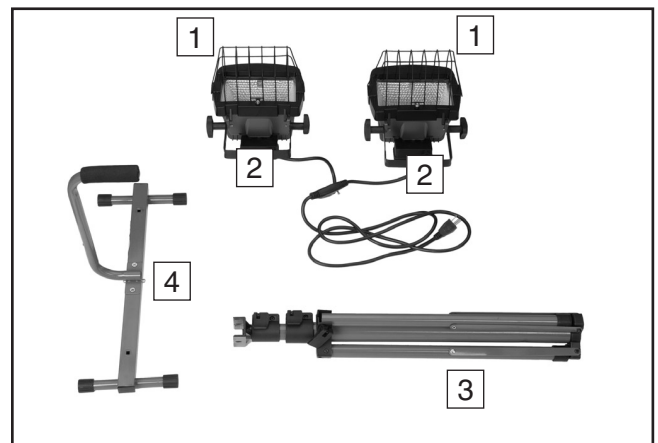


Figure 2. Model H7861 Inventory

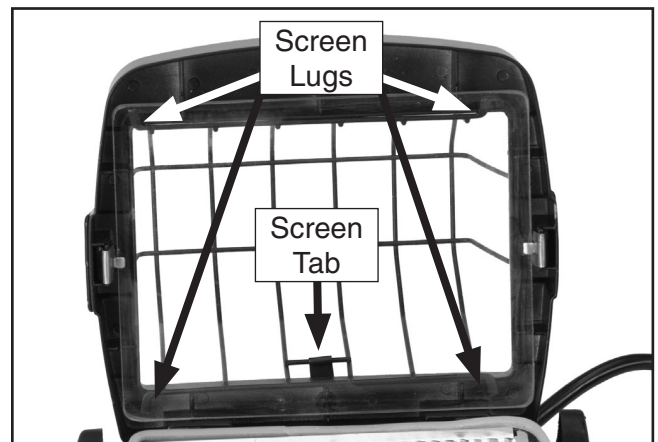


Figure 3. Fitting locations of safety screen lugs.